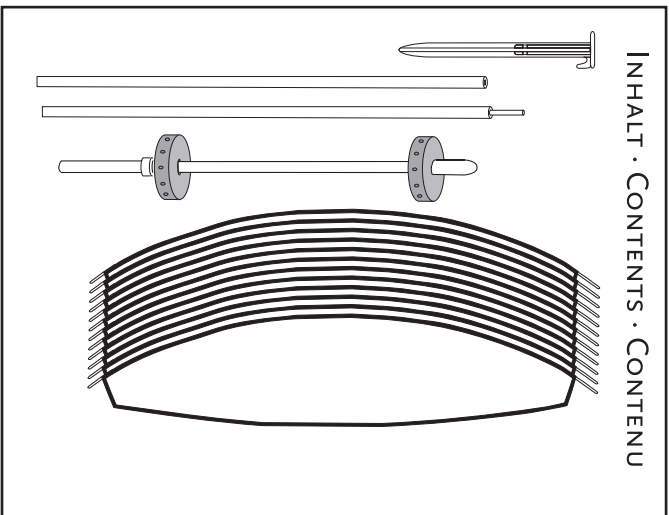
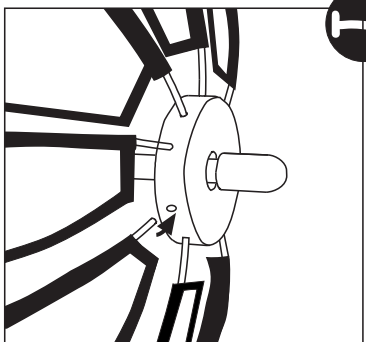


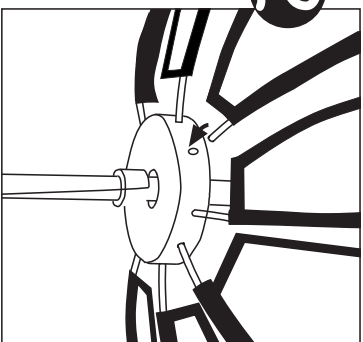
INHALT · CONTENTS · CONTENU



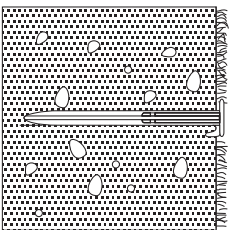
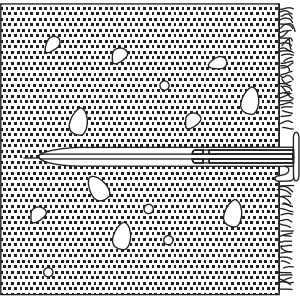
1



2

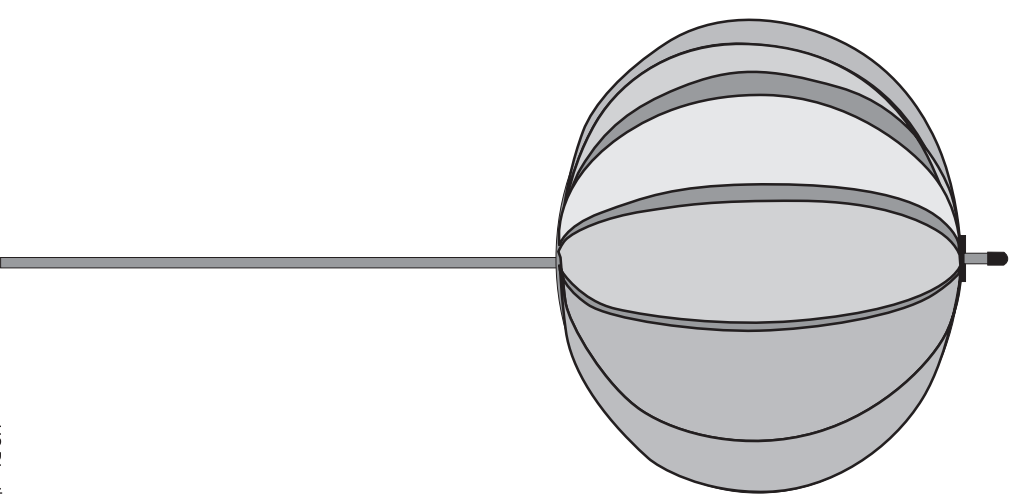


3



SPINNING BALL RAINBOW

ART.NR.: 100823



InVento GmbH
D - 26180 Rastede
Germany
Service: +49 (4402) 92 62 44
e-mail: service@invento-hq.com
www.invento-hq.com

US Distribution by:
HQ Kites & Design U.S.A., INC
317 Great Bridge Blvd., Suite C
Chesapeake, VA 23320, USA
toll free: (888) 318-3600
e-mail: sales@hq-kites-usa.com
www.hq-kites-usa.com

www.invento-hq.com